



## High Performance Microwave Probes Model 220

### Features

- Durable
- 140 to 220 GHz
- Insertion loss 2.0 db typ.
- Return loss 15 db typ.
- Individually spring loaded contacts
- Patented Coaxial Design
- Individually Spring-loaded Contacts
- Bias-T Option Available

The **PICOPROBE&REG; MODEL 220**, a high performance microwave probe which incorporates a WR-5 waveguide with our patented coaxial design techniques, has inherent low loss and low dispersion characteristics. Like all of our Picoprobe microwave probes, the Model 220 features: individually spring loaded Beryllium-Copper tips which provide reliable contacts even when probing non-planar structures; direct viewing of probe tips for accurate positioning; and can be designed to almost any pitch and footprint. Smaller pitches and Ground-Signal-Ground footprints are recommended for optimum performance. Please contact our office for additional information regarding the performance specifications of the Model 220 Picoprobe.



*FIGURE 1*

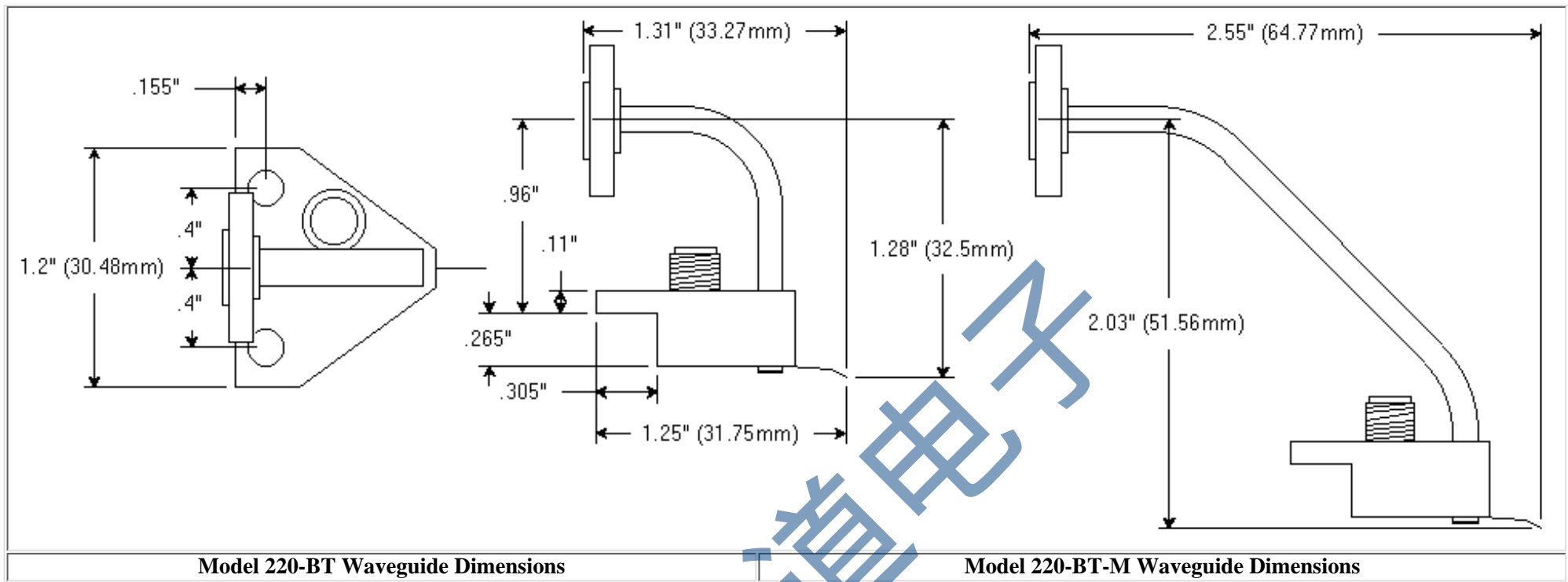


FIGURE 2

<b>GGB INDUSTRIES, INC.</b>	<b>P.O. BOX 10958</b>	<b>NAPLES, FL 34101</b>
<b>Telephone (239) 643-4400</b>	<b>Fax (239) 643-4403</b>	<b>Email <a href="mailto:email@ggb.com">email@ggb.com</a></b>

Picoprobe is a registered trademark of GGB Industries, Inc.