



High Performance Microwave Probes Model 170

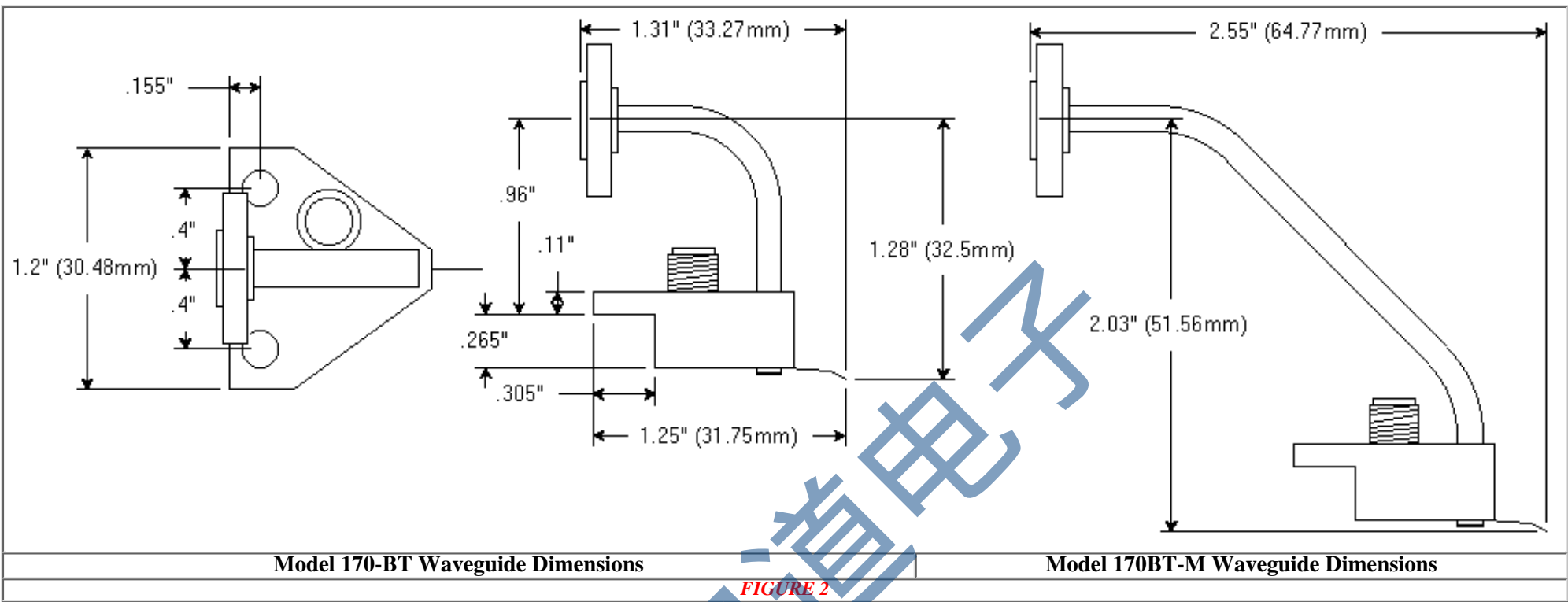
Features

- Durable
- 110 to 170 GHz
- Patented Coaxial Design
- Individually Spring-loaded Contacts
- Bias-T Option Available



FIGURE 1

The PICOPROBE MODEL 170, a high performance microwave probe which incorporates a WR-6 waveguide with our patented coaxial design techniques, has inherent low loss and low dispersion characteristics. Like all of our Picoprobe® microwave probes, the Model 170 features: individually spring loaded Beryllium-Copper tips which provide reliable contacts even when probing non-planar structures; direct viewing of probe tips for accurate positioning; and can be designed to almost any pitch and footprint. Smaller pitches and Ground-Signal-Ground footprints are recommended for optimum performance. Please contact our office for additional information regarding the performance specifications of the Model 170 Picoprobe.



GGB INDUSTRIES, INC.	P.O. BOX 10958	NAPLES, FL 34101
Telephone (239) 643-4400	Fax (239) 643-4403	Email email@ggb.com

Picoprobe is a registered trademark of GGB Industries, Inc.