

# Picoprobe®

BY GGB INDUSTRIES INC.

The Picoprobe Model 140, a high performance microwave probe which incorporates a WR-8 waveguide with our patented coaxial design techniques, has inherent low loss and low dispersion characteristics. Like all of our Picoprobe microwave probes, the Model 140 features: individually spring loaded Beryllium-Copper tips which provide reliable contacts even when probing non-planar structures; direct viewing of probe tips for accurate positioning; and can be designed to almost any pitch and footprint. Smaller pitches and Ground-Signal-Ground footprints are recommended for optimum performance. Please contact our office for additional information regarding the performance specifications of the Model 140 Picoprobe.

## **Picoprobe Model 140 Microwave Probe**

Durable

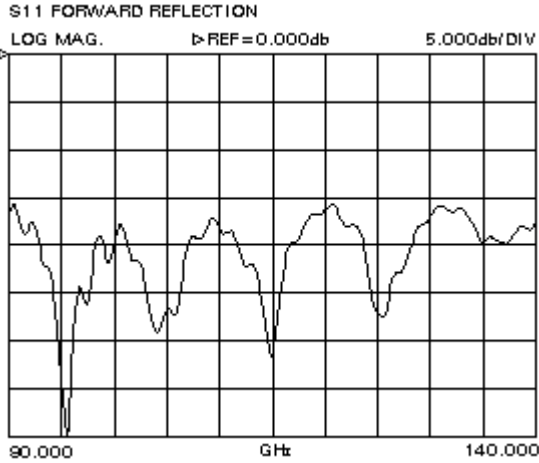
90 to 140 GHz

Patented Coaxial Design

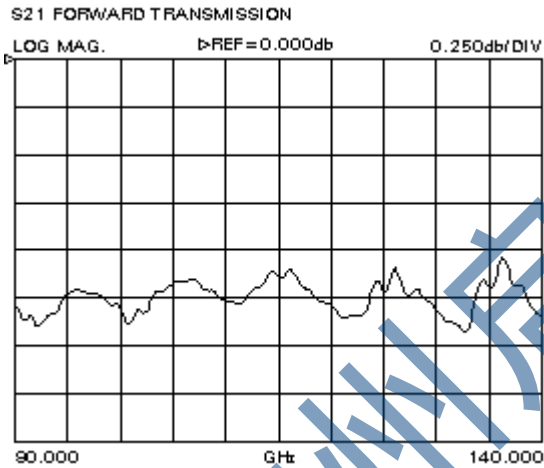
Individually Spring-loaded Contacts

Bias-T Option Available

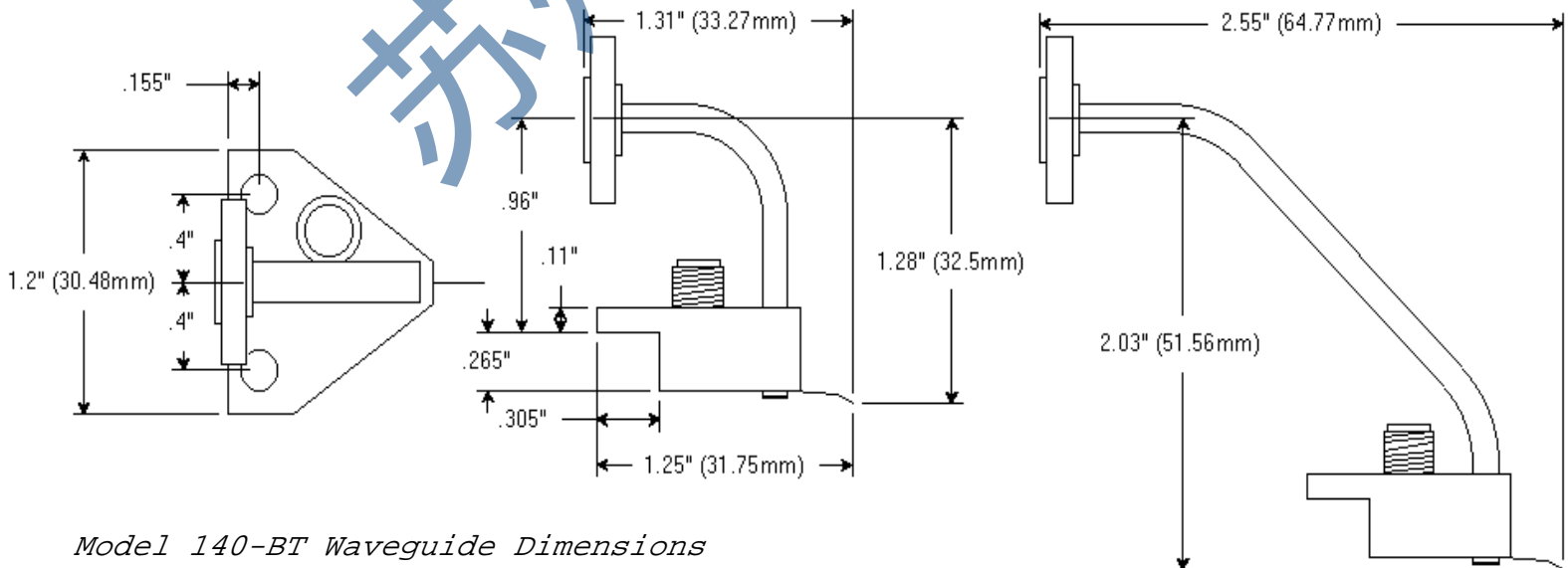




Left: Typical uncalibrated performance of a Model 140-GSG-100-BT



Left: Typical insertion loss of a Model 140-GSG-100-BT.



Model 140-BT Waveguide Dimensions

Model 140-BT-M Waveguide Dimensions