

**CMP-6G12G-3024-S** is a wideband medium power amplifier providing up to 24 dBm and a gain of 30 dB. The compact size and modularity makes it ideal for a wide range of applications.

**Features:**

- Frequency Range: 6 to 12 GHz
- P1dB: 24 dBm Min
- Flat Small Signal Gain: 30 dB Min
- Small size, low cost
- Unconditionally Stable

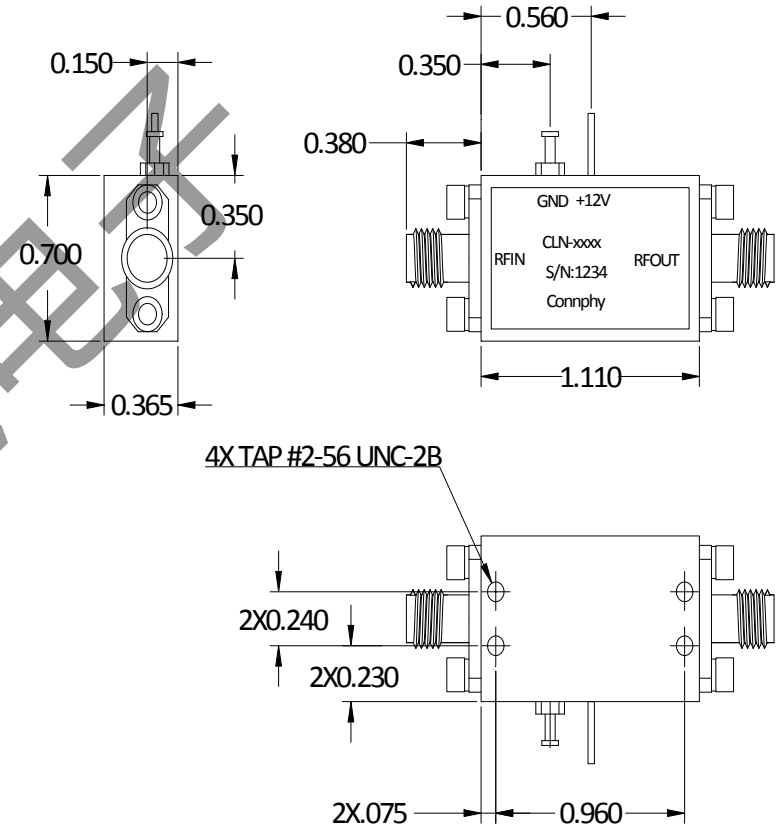
**Specifications:**

Frequency:	6-12 GHz
Gain:	30 dB Min
Gain Flatness:	±1.5 dB Max
Noise Figure:	3.5 dB Max
Output P1dB:	24 dBm Typ
Output IP3:	33 dBm Typ
VSWR Input:	2.0:1 Max
VSWR Output:	2.0:1 Max
DC Voltage:	+12 V DC
DC Supply Current:	425 mA Typ

**Environmental Ratings:**

Temperature:	-40°C to +75 °C Operating -55 °C to +125 °C Non-Operating
Vibration:	MIL-STD-202F, Method 204D Cond. B
Altitude:	MIL-STD-202F, Method 105C Cond. B
Temperature Cycle:	MIL-STD-202F, Method 107D Cond. A

**Mechanical Outline(Inches):**



Medium Power Amplifier CMP-6G12G-3024-S			
DRAWN:	DWG NO.:	REV CODE: Rev.1.0	 <a href="http://www.connphy.com">www.connphy.com</a> <a href="mailto:sales@qiidao.com">sales@qiidao.com</a>
CHECKRD:	DATE: 12/10/15	SHEET : 1 OF 2	
ISSUED:	SIZE: A	SCALE : N / A	
			Notes: SPEC ARE SUBJECT TO CHANGE WITHOUT NOTICE.