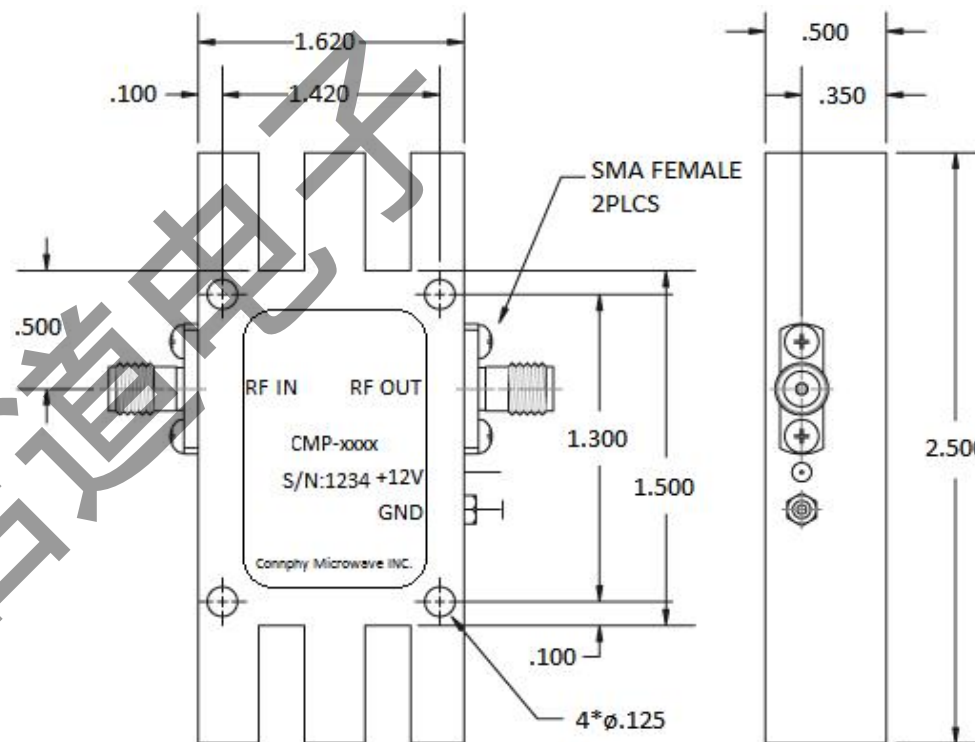


CMP-32G36G-3033-K is a wideband medium power amplifier providing up to 33 dBm and a gain of 30 dB. The compact size and modularity makes it ideal for a wide range of applications.

Features:

- Frequency Range: 32 to 36 GHz
- Psat: 33 dBm Min
- Flat Small Signal Gain: 30 dB Min
- Small size, low cost
- Unconditionally Stable

Mechanical Outline(Inches):




Specifications:

Frequency:	32.0-36.0 GHz
Gain:	30 dB Min
Gain Flatness:	±3.0 dB Max
Output Psat:	33 dBm Min
VSWR Input:	2.0:1 Max
VSWR Output:	2.5:1 Max
DC Voltage:	+12 V±5% DC Typ
DC Supply Current:	2400 mA Typ
RF Connector:	2.92mm female

Environmental Ratings:

Temperature:	-40°C to +75 °C Operating -55 °C to +125 °C Non-Operating
Vibration:	MIL-STD-202F, Method 204D Cond. B
Altitude:	MIL-STD-202F, Method 105C Cond. B
Temperature Cycle:	MIL-STD-202F, Method 107D Cond. A

Medium Power Amplifier CMP-32G36G-3033-K		
DRAWN:	DWG NO.:	REV CODE: Rev.1.0
CHECKRD:	DATE: 15/07/15	SHEET : 1 OF 1
ISSUED:	SIZE: A	SCALE : N / A



www.connphy.com
sales@qiidao.com

Notes: SPEC ARE SUBJECT TO CHANGE WITHOUT NOTICE.