

**CMP-26G40G-3030-K** is a Ka Band Amplifier providing up to 30 dBm at saturation and a gain of 30 dB. The compact size and modularity makes it ideal for a wide range of applications.

**Features:**

- 26-40 GHz full Ka-band operation frequency
- Built-in DC Voltage regulation
- High Output Power
- Heat Sink Fan is optional

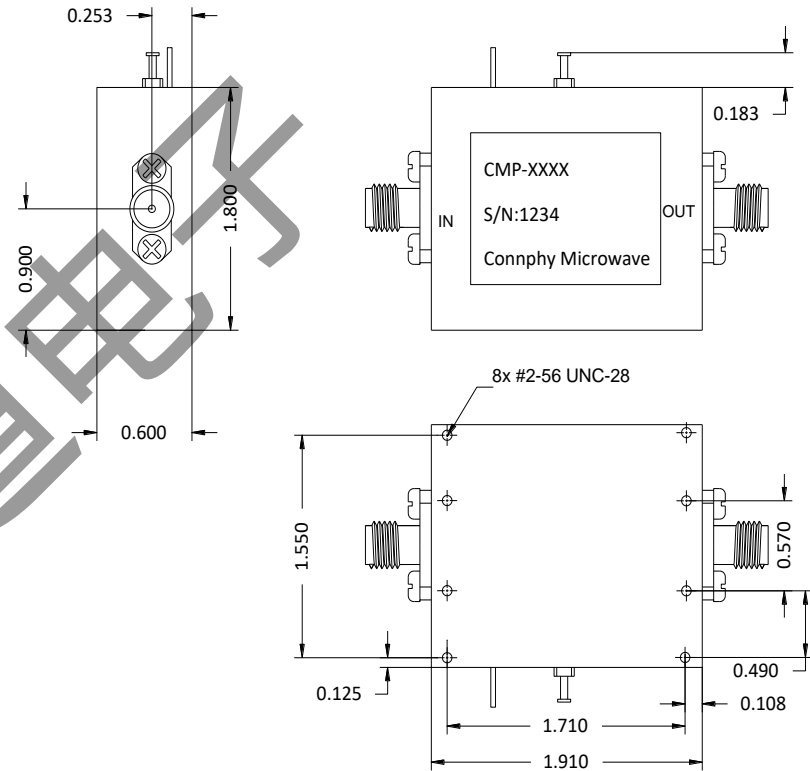
**Specifications:**

Frequency: 26.0-40.0 GHz  
 Gain: 30 dB Min  
 Gain Flatness: ±3 dB Max  
 Noise Figure: 8.0 dB Typ  
 Output Psat: 30 dBm Min  
 Input VSWR: 2.2:1 Max  
 Output VSWR: 2.2:1 Max  
 DC Voltage: +12 to +15 VDC  
 DC Supply Current: 4500 mA Typ  
 Connectors: 2.92mm Female  
 RF Input Power: 20 dBm Max

**Environmental Ratings:**

Temperature: -40 °C to +75 °C Operating  
 -55 °C to +125 °C Non-Operating  
 Vibration: MIL-STD-202F, Method 204D Cond. B  
 Altitude: MIL-STD-202F, Method 105C Cond. B  
 Temperature Cycle: MIL-STD-202F, Method 107D Cond. A

**Mechanical Outline(Inches) :**



Medium Power Amplifier CMP-26G40G-3030-K			
DRAWN:	DWG NO.:	REV CODE: Rev.2.0	 <a href="http://www.connphy.com">www.connphy.com</a> <a href="mailto:sales@qiidao.com">sales@qiidao.com</a>
CHECKRD:	DATE: 08/01/18	SHEET : 1 OF 1	
ISSUED:	SIZE: A	SCALE : N / A	
			Notes: SPEC ARE SUBJECT TO CHANGE WITHOUT NOTICE.