

CMP-25G31G-3034-K is a wideband medium power amplifier providing up to 34 dBm and a gain of 30 dB. The compact size and modularity makes it ideal for a wide range of applications.

Features:

- Frequency Range: 26 to 31 GHz
- Psat: 34 dBm Min
- Flat Small Signal Gain: 30 dB Min
- Small size, low cost
- Unconditionally Stable

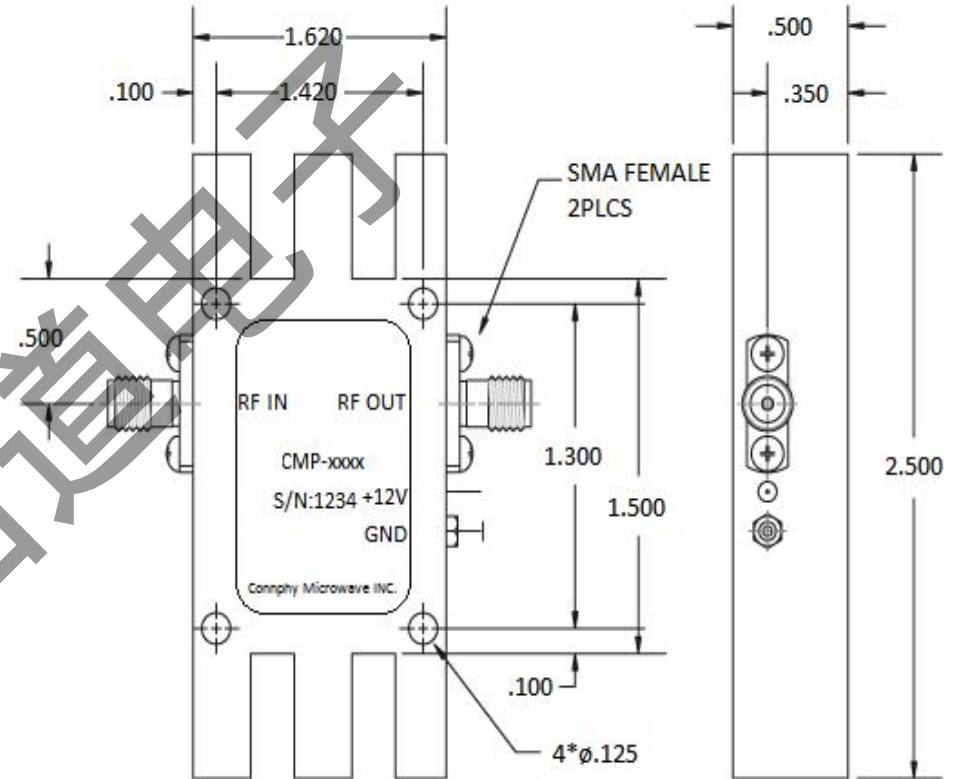
Specifications:


| | |
|--------------------|-----------------|
| Frequency: | 25.0-31.0 GHz |
| Gain: | 30 dB Min |
| Gain Flatness: | ±2.4 dB Max |
| Psat: | 34 dBm Min |
| VSWR Input: | 2.0:1 Max |
| VSWR Output: | 2.5:1 Max |
| DC Voltage: | +12 V±5% DC Typ |
| DC Supply Current: | 400mA Typ |
| RF Connectors: | 2.92mm Female |

Environmental Ratings:

| | |
|--------------------|--|
| Temperature: | -40°C to +75 °C Operating -55 °C to +125 °C Non-Operating |
| Vibration: | MIL-STD-202F, Method 204D Cond. B |
| Altitude: | MIL-STD-202F, Method 105C Cond. B |
| Temperature Cycle: | MIL-STD-202F, Method 107D Cond. A |

Mechanical Outline(Inches):



| Medium Power Amplifier CMP-25G31G-3034-K | | | |
|---|-------------------|----------------------|---|
| DRAWN: | DWG NO.: | REV CODE: Rev.1.0 |  www.connphy.com sales@qiidao.com |
| CHECKRD: | DATE: 15/07/15 | SHEET : 1 OF 1 | |
| ISSUED: | SIZE: A | SCALE : N / A | |
| | | | Notes: SPEC ARE SUBJECT TO CHANGE WITHOUT NOTICE. |