

CMP-17G20G-2828-S is a wideband medium power amplifier providing up to 28 dBm and a gain of 28 dB. The compact size and modularity makes it ideal for a wide range of applications.

Features:

- Frequency Range: 17 to 20 GHz
- P1dB: 28 dBm Min
- Flat Small Signal Gain: 28 dB Min
- Small size, low cost
- Unconditionally Stable

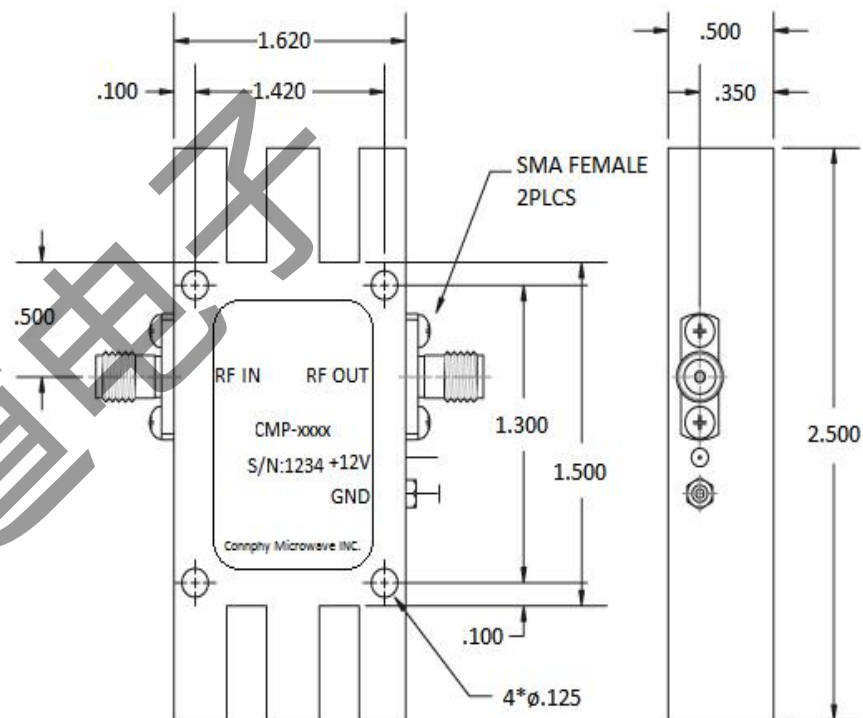
Specifications:


Frequency:	17.0-20.0 GHz
Gain:	28 dB Min
Gain Flatness:	±1.6 dB Max
Output OP1dB:	28 dBm Min
VSWR Input:	2.0:1 Max
VSWR Output:	2.5:1 Max
DC Voltage:	+12V ±5% DC
DC Supply Current:	1000 mA Typ
RF Connectors:	SMA Female

Environmental Ratings:

Temperature:	-40°C to +75 °C Operating -55 °C to +125 °C Non-Operating
Vibration:	MIL-STD-202F, Method 204D Cond. B
Altitude:	MIL-STD-202F, Method 105C Cond. B
Temperature Cycle:	MIL-STD-202F, Method 107D Cond. A

Mechanical Outline(Inches) :



Medium Power Amplifier CMP-17G20G-2828-S			
DRAWN:	DWG NO.:	REV CODE: Rev.1.0	 www.connphy.com sales@qiidao.com
CHECKRD:	DATE: 15/07/15	SHEET : 1 OF 1	
ISSUED:	SIZE: A	SCALE : N / A	
			Notes: SPEC ARE SUBJECT TO CHANGE WITHOUT NOTICE.