

CMP-0.2G20G-3230-S is a wideband medium power amplifier providing up to 30 dBm and a gain of 32 dB. The compact size and modularity makes it ideal for a wide range of applications.

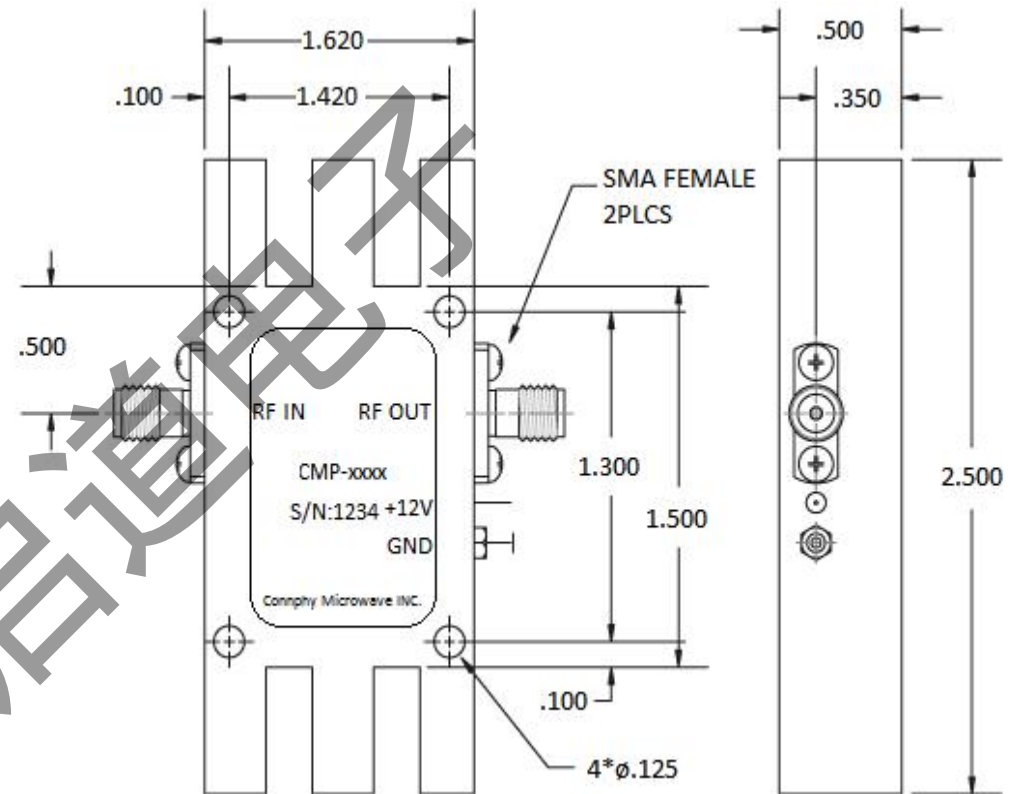
Features:

- Frequency Range: 0.2 to 20 GHz
- Psat: 30 dBm Typ
- Flat Small Signal Gain: 32 dB Min
- Small size, low cost
- Unconditionally Stable

Specifications:


Frequency:	0.2-20 GHz
Gain:	32 dB Min
Gain Flatness:	±2.5 dB Max
Psat:	30 dBm Typ
Output IP3:	38 dBm Typ
VSWR Input:	2.5:1 Typ
VSWR Output:	2.5:1 Typ
DC Voltage:	+15 ±0.6 V Max
DC Supply Current:	1000 mA Max
RF Connector:	SMA female

Mechanical Outline(Inches) :



Environmental Ratings:

Temperature:	-40°C to +75 °C Operating -55 °C to +125 °C Non-Operating
Vibration:	MIL-STD-202F, Method 204D Cond. B
Altitude:	MIL-STD-202F, Method 105C Cond. B
Temperature Cycle:	MIL-STD-202F, Method 107D Cond. A

Medium Power Amplifier CMP-0.2G20G-3230-S			
DRAWN:	DWG NO.:	REV CODE: Rev.1.0	 www.connphy.com sales@qiidao.com
CHECKRD:	DATE: 15/07/15	SHEET : 1 OF 1	
ISSUED:	SIZE: A	SCALE : N / A	
			Notes: SPEC ARE SUBJECT TO CHANGE WITHOUT NOTICE.