

# 680 & 681 Series

45° and 90° Twists



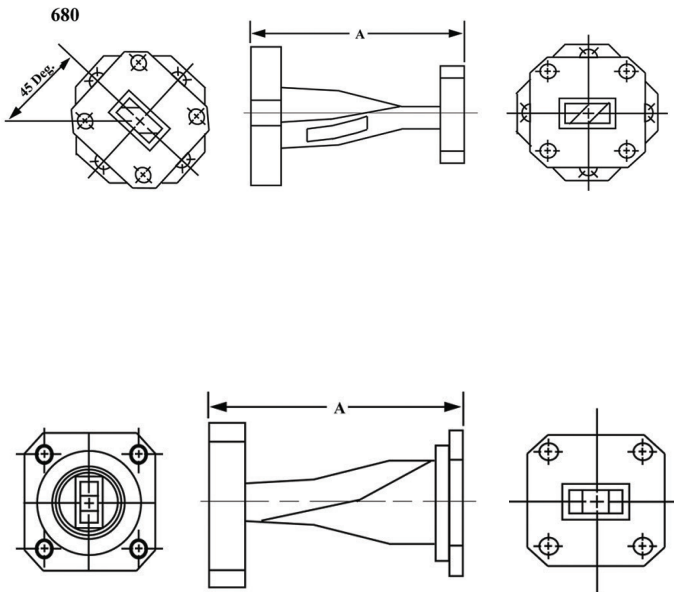
## Description

Mi-Wave's 680 Series Twists are short sections of standard flanged waveguide with left-hand or right-hand 45° twist configurations while the 681 Series Twists provide 90° twist configurations. The units are available in standard waveguide sizes from 12.4 to 325 GHz. Please be sure to specify the left-hand or right-hand configuration when ordering.

- *Smooth 45°/90° Polarization Changes for Minimum Energy Reflection.*

## Applications

The 680 Series and the 681 Series waveguide twists are designed to provide changes in waveguide orientation with minimum energy loss and reflections. As integral parts in many of Mi-Wave's ferrite devices, these twists efficiently adapt polarization-rotated RF fields to the orientation of the remaining transmission line components.



## Dimensional Specifications

Model No.	A		Weight (oz)
	in.	mm	
680Ku, 681Ku	3.20	81.28	3.2
680K, 681K	2.70	68.58	2.7
680A, 681A	1.50	38.1	1.9
680B, 681B	1.50	38.1	1.9
680U, 681U	1.50	31.75	1.8
680V, 681V	1.25	31.75	1.7
680E, 681E	1.25	31.75	1.6
680W, 681W	1.25	31.75	1.6
680F, 681F	1.25	31.75	1.3
680D, 681D	1.25	31.75	1.2
680G, 681G	1.25	31.75	1.2

\* Available in WR-4 & WR-3 Bands

## CUSTOM LENGTHS AVAILABLE

## Ordering Information

